

JP and JP Booster



1. Product introduction	3
Applications	3
Pumped liquids	3
Features and benefits	3
Performance range	4
Product range	4
2. Installation and operation	5
Mechanical installation	5
Installation examples	6
Electrical connection	6
3. Selection guide	7
4. JP pump	8
Product range	8
Motor	8
Features and benefits of the JP pump	8
Performance curves	8
Technical data	9
Approvals and markings	10
5. JP PM Booster	11
Product range	11
Pressure manager	11
Motor	11
Features and benefits	11
Technical data	11
Approvals and markings	12
6. JP PT-V Booster	13
Product range	13
Motor	13
Features and benefits	13
Technical data	13
Approvals and markings	14
7. JP PT-H Booster	15
Product range	15
Motor	15
Features and benefits	15
Technical data	15
Approvals and markings	16
8. Product numbers	17
JP	17
JP PM	18
JP PT-V	19
JP PT-H	20
9. Grundfos Product Center	21

1. Product introduction

Grundfos jet pumps and boosters are designed for domestic use and ensure a constant supply of clean water to households and gardens as well as light commercial applications.

JP

JP is a self-priming, single-stage centrifugal jet pump. The jet pump has excellent suction capacity and is designed for long and trouble-free operation. The built-in ejector with guide vanes ensures optimum self-priming properties. JP is small and compact, and the lifting handle makes JP handy and easy to carry. The pump housing is made of stainless steel.

JP Boosters

JP Boosters are compact systems for pressure boosting with pressure control. The pressure control gives more comfort to the user, as it allows the pump to start and stop automatically according to demand.

JP Boosters are available in the following variants:

- JP PM: a jet pump with a pressure manager (Grundfos PM 1)
- JP PT-V: a jet pump with a vertical pressure tank and a pressure switch
- JP PT-H: a jet pump with a horizontal pressure tank and a pressure switch.

AISI 316 variant

A special variant of the JP pump is available with components made with a higher stainless-steel grade. This pump is especially suitable for pool-cleaning applications.



Fig. Left to right: JP PT-V, JP PT-H, JP PM and JP

Applications

The pumps and boosters are suitable for domestic water supply, where pressure boosting and self-priming is needed.

The product can be used in a wide variety of applications, such as these:

- single- and two-family houses, boosting the pressure of water coming from a break tank, roof tank or a well
- garden irrigation

- car wash
- small-scale agriculture and horticulture
- light commercial applications
- pool cleaning (AISI 316 variant only).

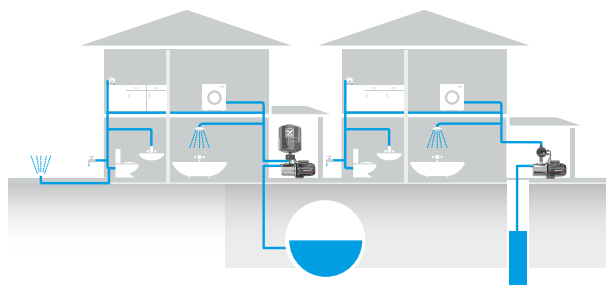


Fig. Examples of applications with JP Boosters

Pumped liquids

The product is suitable for pumping clean, thin, non-aggressive, non-toxic and non-explosive liquids without solid particles or fibres. Examples of liquids:

- potable water
- rainwater.

Features and benefits

Features	JP	JP PT	JP PM
Self-priming	√	√	√
Auto start/stop	-	√	√
Pressure indication (pressure gauge)	-	√	-
Alarm indication	-	-	√
Integrated non-return valve	-	-	√
Dry-running protection	-	-	√

Features and benefits of the JP pump

- Self-priming, featuring a suction lift of up to 8 m
- robust design and corrosion-free materials for a long lifetime

Features and benefits of the pressure tank

- Automatic start/stop according to consumption
- controlled pressure for the comfort of constant water supply without pressure drops
- pressure gauge
- fewer starts and stops in case of low water consumption or leakage loss
- reduced water hammer in the pipes.

Features and benefits of the pressure manager

- Automatic start/stop according to consumption
- dry-running protection to avoid damage of the pump
- anti-cycling for leakage detection to prevent overheating and save energy

- integrated non-return valve
- status indication: power on, pump running, alarm
- rotary outlet connection for easy adaption to local pipe system.

Performance range

The performance curves show the range of the JP pumps.

For JP PM Boosters, there is a slight pressure drop over the pressure manager.

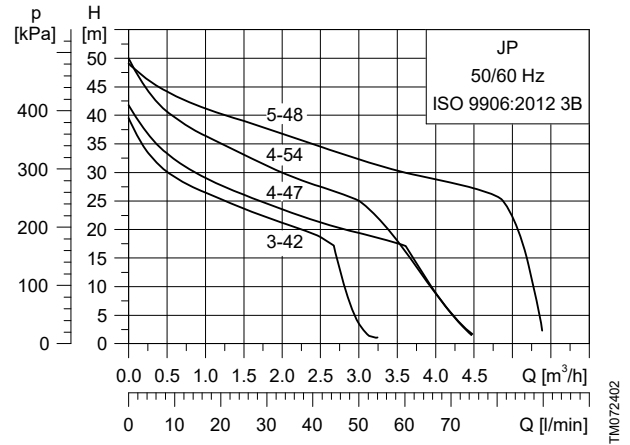


Fig. Performance range, JP

Related information

[Performance curves](#)

Product range

Pump type	Max. flow rate [m³/h]	Max. head [m]
JP 3-42	3	42
JP 4-47	4	47
JP 4-54	4	54
JP 5-48	5	48

2. Installation and operation

Mechanical installation

Placing the pump above ground is generally a convenient way to establish a water or rainwater supply. The pump can be installed both indoors and outdoors in a well-ventilated location. When installed outdoors, the product needs a suitable cover to protect it from exposure to direct sunlight, rain, snow and frost.

Place the product as close to the liquid to be pumped as possible to minimise the length of the inlet pipe. To ensure cooling of the motor and easy access, we recommend a clearance of 0.5 m on three sides of the product. Fasten the product to a solid horizontal foundation with a maximum inclination angle of $\pm 5^\circ$. The base plate must be facing downwards.

If the pump is used for pumping rainwater or well water, we recommend that you install a filter on the inlet side to protect the pump from sand, gravel or other debris. If the pump is installed above the liquid level, we recommend that you fit a foot valve with strainer to the inlet pipe.

Pipe system

To obtain the optimum suction capacity that the dry-installed pump is designed for, the correct dimension of the pipe system is important. If a hose is used as inlet pipe, it must be non-collapsible.

The diameter of the inlet pipe must be larger than 1", if the inlet pipe is longer than 10 m, or if the suction lift exceeds 4 m.

Inlet-pipe length and suction lift

The length of the inlet pipe of self-priming pumps depends on the geodetic suction lift. The recommended maximum length of the inlet pipe according to the suction lift is shown in the figure below. The example shows that if the suction lift is 2.5 m, the length of the inlet pipe must not exceed 25 m.

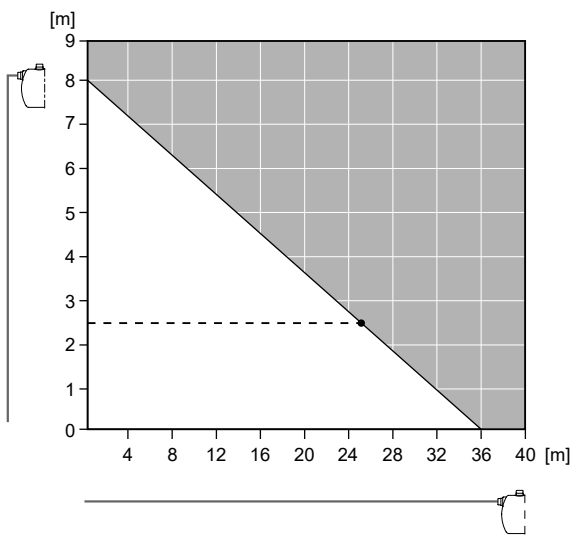


Fig. Maximum inlet-pipe length (horizontal axis) according to the suction lift (vertical axis)

Inlet and outlet pipes

Please follow these general precautions when connecting the inlet and outlet pipes.

- Install the pipes so that air pockets are avoided, especially on the inlet side of the pump.
- Use eccentric reducers with the tapered side down.
- Make sure the pipes are as straight as possible to avoid unnecessary bends and fittings. We recommend long-radius 90° pipe bends to decrease friction loss.
- Run the inlet pipe as direct as possible and, ideally, make sure the length is at least ten times the pipe diameter.
- If possible, run a horizontal inlet line. We recommend a gradual upward slope to pumps operating in suction-lift conditions, and a gradual downward slope to pumps operating in positive inlet-pressure conditions.

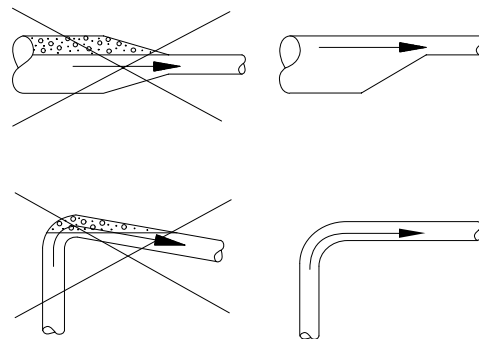


Fig. Recommended pipe installation to avoid friction and air pockets

- A short pipe must be the same diameter as the inlet port or larger.
- A long pipe must be one or two sizes larger than the inlet port, depending on the length.

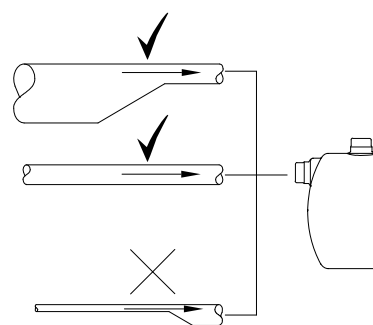


Fig. Correct pipe sizing for connection to the pump inlet or outlet

Maximum system pressure

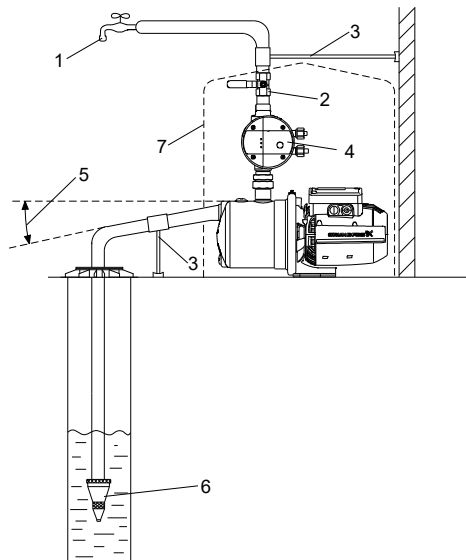
The maximum inlet pressure depends on the head at the actual duty point. The sum of the inlet pressure and the head must not exceed the maximum system pressure. We recommend that you install a pressure-relief valve to protect the pump so that the outlet pressure does not exceed the maximum system pressure.

Installation examples

We recommend that you follow the installation examples. Valves are not supplied with the pump.

Suction from a well

This installation example shows the JP PM, but it applies to all variants of the JP range.

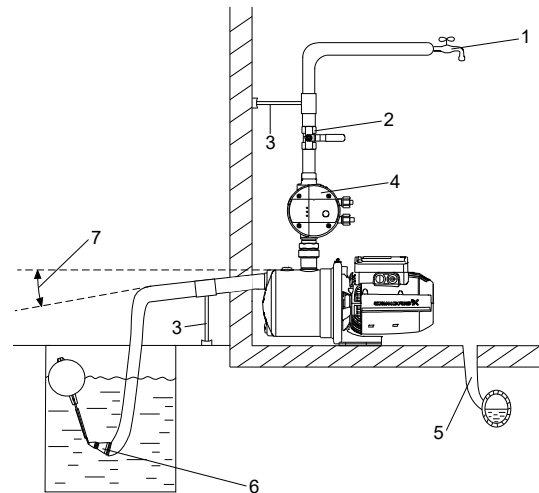


TM072434

Pos.	Description
1	Highest tapping point.
2	Isolating valve.
3	Pipe support.
4	Pressure manager.
5	5 ° angle.
6	Foot valve with strainer. The foot valve is optional. We recommend using a foot valve together with JP PM.
7	Pump cover.

Suction from a tank

This installation example shows JP PM, but it applies to all variants of the JP range.



TM072435

Pos.	Description
1	Highest tapping point.
2	Isolating valve.
3	Pipe support.
4	Pressure manager.
5	Drain to sewer.
6	Strainer. A foot valve is optional. We recommend using a foot valve together with JP PM.
7	5 ° angle.

Electrical connection

The electrical connection and protection must be carried out in accordance with local regulations. Please also observe the following requirements:

- Make sure that the pump and pressure-control unit are suitable for the power supply to which they are to be connected.
- The pump and pressure-control unit must always be correctly earthed.
- The plug on the pump must have the same protective earth (PE) connection system as the power outlet. If not, use a suitable adapter if allowed by local regulations.
- A pump without plug must be connected to an external main switch or wired with a plug.

Motor protection

The pump incorporates current- and temperature-dependent motor protection. If the pump is running without water, is blocked or otherwise overloaded, the built-in thermal switch will cut out. When the motor has cooled sufficiently, it will restart automatically.

No external motor protection is required.

3. Selection guide

This guide helps you size and select the right JP product. Follow the instructions below to determine which product variant is best suited to your needs.

Selection table

	1-5 taps or 1-2 m ³ /h	6-10 taps or 3-4 m ³ /h	11-20 taps or 4-5 m ³ /h
Water supply on demand	JP 3-XX	JP 4-XX	JP 5-XX
Constant water supply with pressure-drop compensation	JP 3-XX PT-V/H	JP 4-XX PT-V/H	JP 5-XX PT-V/H
Constant water supply, dry-running protection and anti-cycling function	JP 3-XX PM	JP 4-XX PM	JP 5-XX PM

How to use the table

1. Size the product
Determine the size of your product by selecting the rated flow in either the number of taps in the system or the amount of m³ per hour.
2. Select variant

Water supply on demand:

Choose the JP pump for applications such as garden irrigation, small-scale agriculture and car washes. The product is turned on and off by the user, making it ideal for time-limited tasks.

Constant water supply with pressure-drop compensation:

Choose JP PT (pump with vertical or horizontal pressure tank) for applications such as single- and two-family houses as well as agriculture. The built-in pressure switch, which makes the product automatically start and stop, ensures the comfort of constant pressure.

Constant water supply and dry-running protection:

Choose JP PM (pump with pressure manager) for applications with unstable water supply and in well installations, where dry-running protection is needed. The pressure manager makes the product automatically start and stop, while the anti-cycling function stops the pump in case of leakage in the pipes, ensuring a trouble-free operation. JP PM is suitable for single- and two-family houses as well as agriculture applications.

4. JP pump



Grundfos JP is a self-priming, single-stage centrifugal jet pump with axial inlet and radial outlet. The built-in ejector with guide vanes ensures optimum self-priming properties, featuring a suction lift of up to 8 m.

JP is small and compact and the lifting handle makes JP handy and easy to carry. The pump housing is made of stainless steel.

To increase comfort, the JP pump can be fitted with a Grundfos Pressure Manager or with a pressure switch combined with a Grundfos pressure tank.

Product range

Pump type	Max. flow rate [m ³ /h]	Max. head [m]
JP 3-42	3	42
JP 4-47	4	47
JP 4-54	4	54
JP 5-48	5	48

Motor

The motor is air cooled and equipped with oversized, sealed, greased-for-life ball bearings to ensure silent operation and minimum service.

Single-phase motors have a built-in thermal switch and require no additional motor protection.

Features and benefits of the JP pump

- Self-priming, featuring a suction lift of up to 8 m
- robust design and corrosion-free materials for a long lifetime

Self-priming

A self-priming pump ensures a stable operation, even if the pump is not fully filled with liquid. The self-priming pump is able to lift liquid from below the inlet level and handle a mix of air and liquid until the pump reaches a fully-primed pumping condition.

Robust design

The pump is designed for long and trouble-free operation. Excellent corrosion resistance is ensured by the stainless steel pump housing and composite impeller, and the paint on the motor stool is applied by electrophoresis.

Performance curves

The curves show the pump performance of JP pump variants at different suction lift heights.

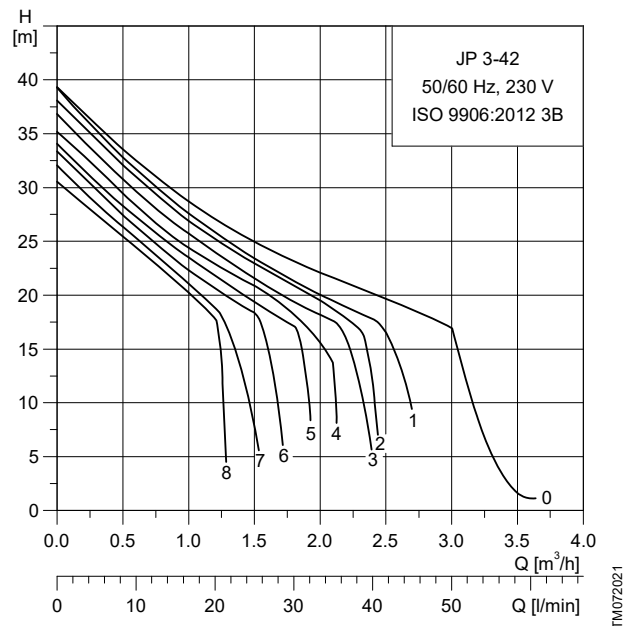


Fig. JP 3-42 performance curves for suction lifts of 0 to 8 m

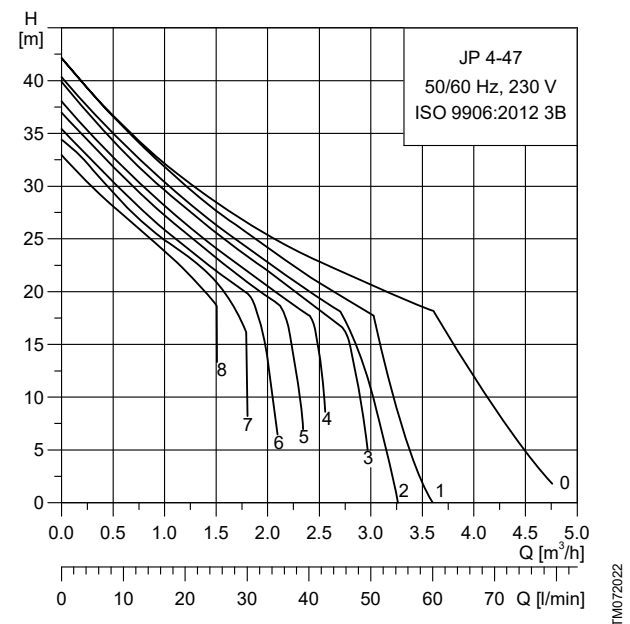


Fig. JP 4-47 performance curves for suction lifts of 0 to 8 m

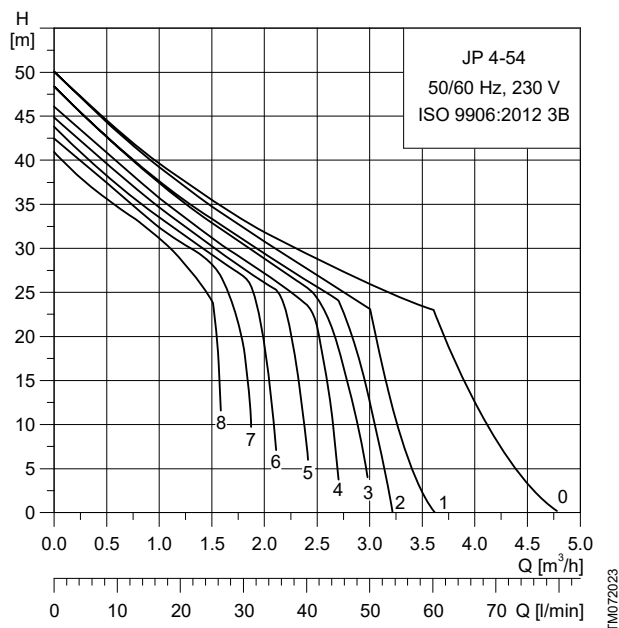


Fig. JP 4-54 performance curves for suction lifts of 0 to 8 m

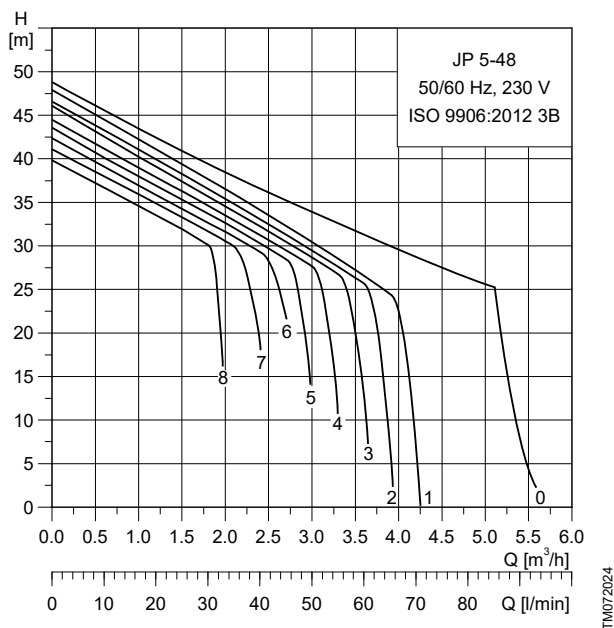


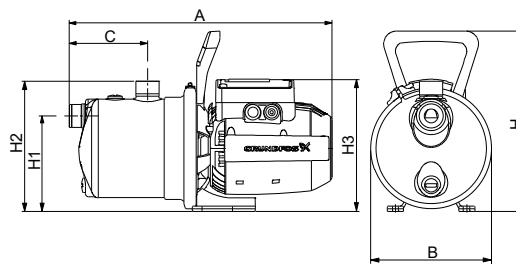
Fig. JP 5-48 performance curves for suction lifts of 0 to 8 m

Related information

Performance range

Technical data

Dimensions of JP



TM072340

Pos.	JP 3-42 [mm]	JP 4-47 [mm]	JP 4-54 [mm]	JP 5-48 [mm]
A	405	405	424	424
B	186	186	186	186
C	121	121	121	121
H	278	278	278	278
H1	147	147	147	147
H2	200	200	201	201
H3	203	203	213	213

Weight

JP 3-42 [kg]	JP 4-47 [kg]	JP 4-54 [kg]	JP 5-48 [kg]
8.6	9.1	10.9	12.6

Operating conditions

System pressure	Max. 6 bar / 0.60 MPa
Suction lift	Max. 8 m, including inlet-pipe pressure loss at a liquid temperature of 20 °C
Liquid temperature	Max. 40 °C (S1) / 60 °C (S3*)
Ambient temperature	Max. 40 °C (S1) / 55 °C (S3*)
Relative humidity	Max. 98 %
Enclosure class	IP44
Insulation class	F
Supply voltage	1 x 220-240 V, 50/60 Hz 1 x 115 V, 60 Hz
Start/stop frequency	Max. 20 per hour
Sound pressure level	Max. sound pressure level of the pump: JP 3-42: 68 [dB(A)] JP 4-47: 70 [dB(A)] JP 4-54: 74 [dB(A)] JP 5-48: 81 [dB(A)]

*S3 means that the pump will run in intermittent operation to cool down the motor.

Electrical data

50 Hz

Pump type	Voltage [V]	P1 [W (hp)]	P2 [W (hp)]	n [rpm]	I _n [A]	I _{start} [A]
JP 3-42	1 x 230	720 (0.97)	447 (0.6)	2800	3.1	9.2
JP 4-47	1 x 230	850 (1.14)	560 (0.75)	2800	3.8	11.3
JP 4-54	1 x 230	1130 (1.51)	746 (1.0)	2800	5.1	17.8
JP 5-48	1 x 230	1490 (2.0)	1014 (1.36)	2800	6.6	27.9

60 Hz

Pump type	Voltage [V]	P1 [W (hp)]	P2 [W (hp)]	n [rpm]	I _n [A]	I _{start} [A]
JP 3-42	1 x 230	700 (0.93)	447 (0.6)	3400	3.1	11.26
	1 x 115	730 (0.98)	447 (0.6)	3400	6.6	22.35
JP 4-47	1 x 230	880 (1.18)	597 (0.8)	3400	3.8	12.50
	1 x 115	900 (1.21)	596 (0.8)	3400	8.0	26.30
JP 4-54	1 x 230	1100 (1.47)	746 (1.0)	3400	5.1	23.70
	1 x 115	1100 (1.47)	746 (1.0)	3400	9.7	47.54
JP 5-48	1 x 230	1450 (1.94)	1014 (1.36)	3400	6.6	38.22
	1 x 115	1470 (1.97)	1014 (1.36)	3400	13.4	58.30

Construction of JP pump

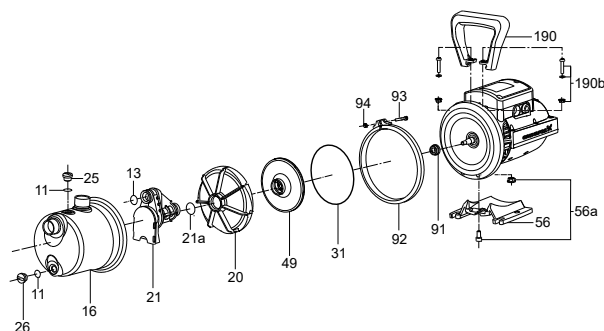


Fig. Exploded view of the JP pump

Material specification

Pos.	Component	Material
13	O-ring	NBR*
16	Pump house	Stainless steel EN 1.4301, AISI 304
20	Diffuser	Composite
21	Venturi tube	Composite
21a	O-ring	NBR*
25	Plug (filler)	Composite
26	Plug (drain)	Composite
31	O-ring	NBR*
49	Impeller	Composite
56	Base plate	Aluminium
68	Handle	Composite
91	Shaft seal	Carbon with resin/ceramic + NBR + AISI 304 Type BBVP
91	Shaft seal (AISI 316 variant)	Carbon with resin/ceramic + EPDM + AISI 316 Type BBVE
92	Pump house ring	Stainless steel EN 1.4301, AISI 304
190	Handle	Composite

* AISI 316 variant uses EPDM O-rings.

Approvals and markings

Approvals		Markings	
ACS	CE	C-Tick	EAC
√	√	√	√

TM072372

5. JP PM Booster



TM072465

Grundfos JP PM Booster provides the comfort of constant water pressure with automatic start and stop controlled according to consumption by the intelligent pressure manager. JP PM includes dry-running protection.

JP PM consists of a Grundfos JP pump and a Grundfos Pressure Manager PM 1. The pressure manager is set to start at 1.5 bar.

To reduce the number of starts and stops, an external Grundfos pressure tank can be installed.

Product range

Pump type	Max. flow rate [m ³ /h]	Max. head [m]
JP 3-42	3	42
JP 4-47	4	47
JP 4-54	4	54
JP 5-48	5	48

Pressure manager

The Grundfos Pressure Manager is designed to start and stop the pump automatically according to the consumption. It starts the pump when the start pressure is reached, and the pump keeps running as long as there is flow.



Fig. Pressure Manager PM 1

Motor

The motor is air cooled and equipped with oversized, sealed, greased-for-life ball bearings to ensure silent operation and minimum service.

Single-phase motors have a built-in thermal switch and require no additional motor protection.

Features and benefits

Features and benefits of the JP pump

- Self-priming, featuring a suction lift of up to 8 m
- robust design and corrosion-free materials for a long lifetime

Features and benefits of the pressure manager

- Automatic start/stop according to consumption
- dry-running protection to avoid damage of the pump
- anti-cycling for leakage detection to prevent overheating and save energy
- integrated non-return valve
- status indication: power on, pump running, alarm
- rotary outlet connection for easy adaption to local pipe system.

Self-priming

A self-priming pump ensures a stable operation, even if the pump is not fully filled with liquid. The self-priming pump is able to lift liquid from below the inlet level and handle a mix of air and liquid until the pump reaches a fully-primed pumping condition.

Dry-running protection

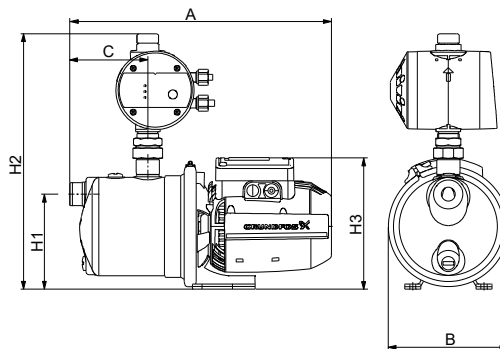
The product incorporates dry-running protection that automatically stops the pump in case of dry running. Dry-running protection means less risk of pump damage and lower maintenance costs.

Anti-cycling function

The anti-cycling function prevents the product from starting and stopping too often in case of a minor leakage in the system or if a tap has not been closed completely. The anti-cycling function will stop the pump and an alarm will be indicated.

Technical data

Dimensions of JP PM



TM072386

TM072378

Pos.	JP 3-42 PM [mm]	JP 4-47 PM [mm]	JP 4-54 PM [mm]	JP 5-48 PM [mm]
A	405	405	424	424
B	186	186	186	186
C	121	121	121	121
H1	147	147	147	147
H2	389	389	390	390
H3	203	203	213	213

Weight

JP 3-42 PM [kg]	JP 4-47 PM [kg]	JP 4-54 PM [kg]	JP 5-48 PM [kg]
11.1	11.6	11.6	15.1

Operating conditions

System pressure	Max. 6 bar / 0.60 MPa
Suction lift	Max. 8 m, including inlet-pipe pressure loss at a liquid temperature of 20 °C
Liquid temperature	Max. 40 °C (S1) / 60 °C (S3*)
Ambient temperature	Max. 40 °C (S1) / 55 °C (S3*)
Relative humidity	Max. 98 %
Enclosure class	IP44
Insulation class	F
Supply voltage	1 x 220-240 V, 50/60 Hz 1 x 115 V, 60 Hz
Start/stop frequency	Max. 20 per hour
Sound pressure level	Max. sound pressure level of the pump: JP 3-42: 68 [dB(A)] JP 4-47: 70 [dB(A)] JP 4-54: 74 [dB(A)] JP 5-48: 81 [dB(A)]

* S3 means that the pump will run in intermittent operation to cool down the motor.

Electrical data JP PM

50 Hz

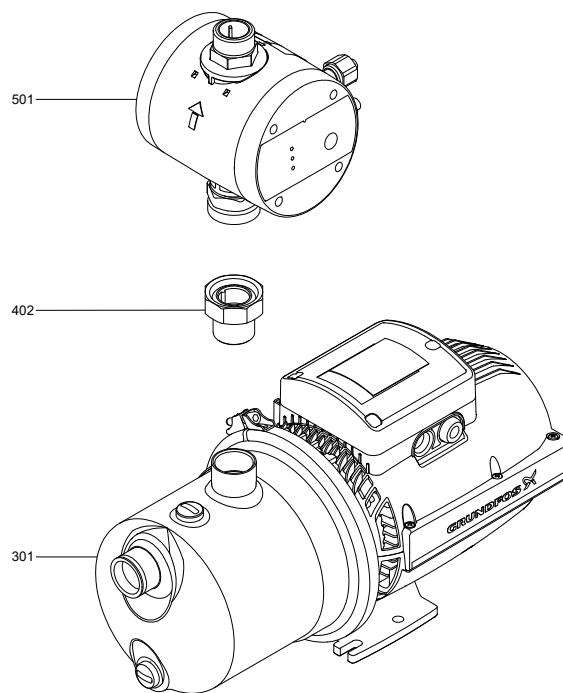
Pump type	Voltage [V]	P1 [W (hp)]	P2 [W (hp)]	n [rpm]	I _n [A]	I _{start} [A]
JP 3-42 PM	1 x 230	720 (0.97)	447 (0.6)	2800	3.1	9.2
JP 4-47 PM	1 x 230	850 (1.14)	560 (0.75)	2800	3.8	11.3
JP 4-54 PM	1 x 230	1130 (1.51)	746 (1.0)	2800	5.1	17.8
JP 5-48 PM	1 x 230	1490 (2.0)	1014 (1.36)	2800	6.6	27.9

60 Hz

Pump type	Voltage [V]	P1 [W (hp)]	P2 [W (hp)]	n [rpm]	I _n [A]	I _{start} [A]
JP 3-42 PM	1 x 230	700 (0.93)	447 (0.6)	3400	3.1	11.26
	1 x 115	730 (0.98)	447 (0.6)	3400	6.6	22.35
JP 4-47 PM	1 x 230	880 (1.18)	597 (0.8)	3400	3.8	12.50
	1 x 115	900 (1.21)	596 (0.8)	3400	8.0	26.30

Pump type	Voltage [V]	P1 [W (hp)]	P2 [W (hp)]	n [rpm]	I _n [A]	I _{start} [A]
JP 4-54 PM	1 x 230	1100 (1.47)	746 (1.0)	3400	5.1	23.70
	1 x 115	1100 (1.47)	746 (1.0)	3400	9.7	47.54
JP 5-48 PM	1 x 230	1450 (1.94)	1014 (1.36)	3400	6.6	38.22
	1 x 115	1470 (1.97)	1014 (1.36)	3400	13.4	58.30

Construction of JP PM Booster



TM072273

Material specification

Pos.	Description	Material
301	JP pump	-
402	Fitting	Brass
		Wetted parts: Technopolymer Rubber (NBR) Stainless steel (EN 1.4305) Butyl
501	Pressure Manager	

Approvals and markings

Approvals		Markings	
ACS	CE	C-Tick	EAC
√	√	√	√

6. JP PT-V Booster



TM072467

Grundfos JP PT-V Booster provides the comfort of constant water pressure with automatic start and stop controlled by a pressure switch and pressure tank combined. The pressure tank limits the number of starts and stops, as water stored in the tank can be used without starting the pump in case of low water consumption or leakage loss. The cut-in pressure is set to 2.2 bar.

JP PT-V consists of a Grundfos JP pump, a pressure switch, a pressure tank and a pressure gauge. The tank is a Grundfos GT-H 18-litre vertical diaphragm tank.

Product range

Pump type	Max. flow rate [m ³ /h]	Max. head [m]
JP 3-42	3	42
JP 4-47	4	47
JP 4-54	4	54
JP 5-48	5	48

Motor

The motor is air cooled and equipped with oversized, sealed, greased-for-life ball bearings to ensure silent operation and minimum service.

Single-phase motors have a built-in thermal switch and require no additional motor protection.

Features and benefits

Features and benefits of the JP pump

- Self-priming, featuring a suction lift of up to 8 m
- robust design and corrosion-free materials for a long lifetime

Features and benefits of the pressure tank

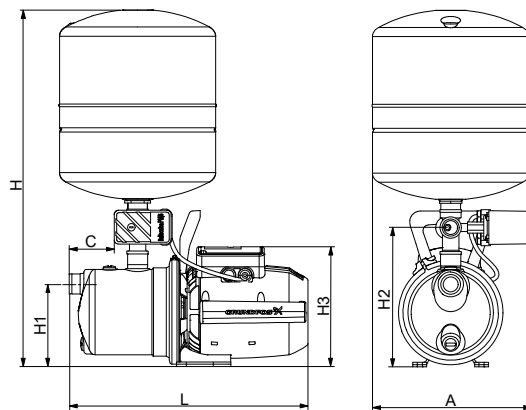
- Automatic start/stop according to consumption
- controlled pressure for the comfort of constant water supply without pressure drops
- pressure gauge
- fewer starts and stops in case of low water consumption or leakage loss
- reduced water hammer in the pipes.

Self-priming

A self-priming pump ensures a stable operation, even if the pump is not fully filled with liquid. The self-priming pump is able to lift liquid from below the inlet level and handle a mix of air and liquid until the pump reaches a fully-primed pumping condition.

Technical data

Dimensions of JP PT-V



TM072344

Pos.	JP 3-42 PT-V [mm]	JP 4-47 PT-V [mm]	JP 4-54 PT-V [mm]	JP 5-48 PT-V [mm]
A	284	284	284	284
C	85	85	84	84
H	635	635	634	634
H1	147	147	147	147
H2	248	248	248	248
H3	203	203	213	213
L	423	423	442	442

Weight

JP 3-42 PT-V [kg]	JP 4-47 PT-V [kg]	JP 4-54 PT-V [kg]	JP 5-48 PT-V [kg]
15.3	15.8	17.6	19.3

Operating conditions

System pressure	Max. 6 bar / 0.60 MPa
Suction lift	Max. 8 m, including inlet-pipe pressure loss at a liquid temperature of 20 °C
Liquid temperature	Max. 40 °C (S1) / 60 °C (S3*)
Ambient temperature	Max. 40 °C (S1) / 55 °C (S3*)
Relative humidity	Max. 98 %
Enclosure class	IP44
Insulation class	F
Supply voltage	1 x 220-240 V, 50/60 Hz 1 x 115 V, 60 Hz
Start/stop frequency	Max. 20 per hour
Sound pressure level	Max. sound pressure level of the pump: JP 3-42: 68 [dB(A)] JP 4-47: 70 [dB(A)] JP 4-54: 74 [dB(A)] JP 5-48: 81 [dB(A)]

*S3 means that the pump will run in intermittent operation to cool down the motor.

Electrical data JP PT-V

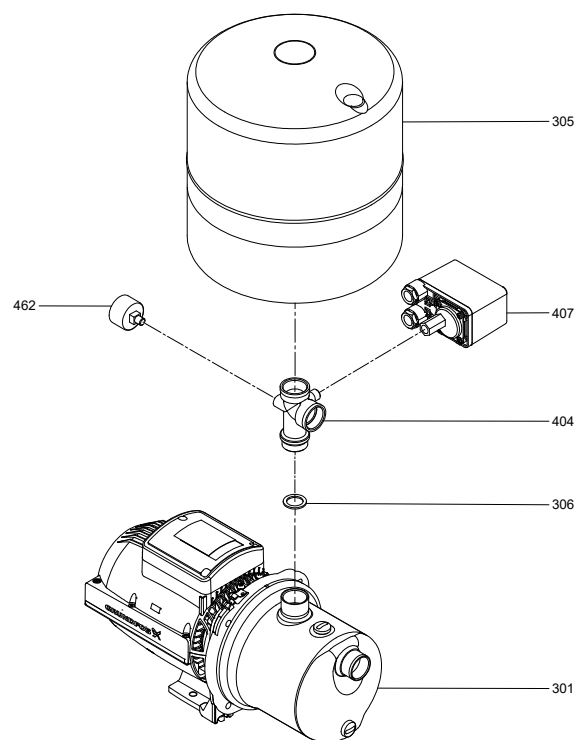
50 Hz

Pump type	Voltage [V]	P1 [W (hp)]	P2 [W (hp)]	n [rpm]	I _n [A]	I _{start} [A]
JP 3-42 PT-V	1 x 230	720 (0.97)	447 (0.6)	2800	3.1	9.2
JP 4-47 PT-V	1 x 230	850 (1.14)	560 (0.75)	2800	3.8	11.3
JP 4-54 PT-V	1 x 230	1130 (1.51)	746 (1.0)	2800	5.1	17.8
JP 5-48 PT-V	1 x 230	1490 (2.0)	1014 (1.36)	2800	6.6	27.9

60 Hz

Pump type	Voltage [V]	P1 [W (hp)]	P2 [W (hp)]	n [rpm]	I _n [A]	I _{start} [A]
JP 3-42 PT-V	1 x 230	700 (0.93)	447 (0.6)	3400	3.1	11.26
	1 x 115	730 (0.98)	447 (0.6)	3400	6.6	22.35
JP 4-47 PT-V	1 x 230	880 (1.18)	597 (0.8)	3400	3.8	12.50
	1 x 115	900 (1.21)	596 (0.8)	3400	8.0	26.30
JP 4-54 PT-V	1 x 230	1100 (1.47)	746 (1.0)	3400	5.1	23.70
	1 x 115	1100 (1.47)	746 (1.0)	3400	9.7	47.54
JP 5-48 PT-V	1 x 230	1450 (1.94)	1014 (1.36)	3400	6.6	38.22
	1 x 115	1470 (1.97)	1014 (1.36)	3400	13.4	58.30

Construction of JP PT-V Booster



TM072275

Material specification

Pos.	Description	Material
301	JP pump	
305	Tank	Stainless steel (EN 1.4305) Wetted parts: Butyl Stainless steel (EN 1.4305)
404	5 way valve	Brass
405	Plug	
406	Gasket	
407	Pressure switch	Wetted parts: Rubber (NBR) Stainless steel (EN 1.4305) Brass
462	Manometer	

Approvals and markings

Approvals		Markings	
ACS	CE	C-Tick	EAC
√	√	√	√

7. JP PT-H Booster



TM072466

Grundfos JP PT-H Booster provides the comfort of constant water pressure with automatic start and stop controlled by a pressure switch and pressure tank combined. The pressure tank limits the number of starts and stops, as water stored in the tank can be used without starting the pump in case of low water consumption or leakage loss. The cut-in pressure is set to 2.2 bar.

JP PT-H consists of a Grundfos JP pump, a pressure switch, a pressure tank and a pressure gauge. The tank is a Grundfos GT-H 20-litre horizontal diaphragm tank.

Product range

Pump type	Max. flow rate [m ³ /h]	Max. head [m]
JP 3-42	3	42
JP 4-47	4	47
JP 4-54	4	54
JP 5-48	5	48

Motor

The motor is air cooled and equipped with oversized, sealed, greased-for-life ball bearings to ensure silent operation and minimum service.

Single-phase motors have a built-in thermal switch and require no additional motor protection.

Features and benefits

Features and benefits of the JP pump

- Self-priming, featuring a suction lift of up to 8 m
- robust design and corrosion-free materials for a long lifetime

Features and benefits of the pressure tank

- Automatic start/stop according to consumption
- controlled pressure for the comfort of constant water supply without pressure drops

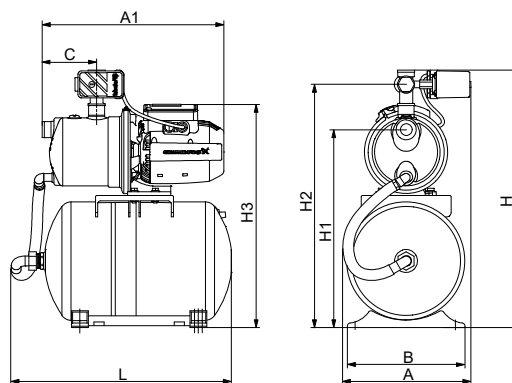
- pressure gauge
- fewer starts and stops in case of low water consumption or leakage loss
- reduced water hammer in the pipes.

Self-priming

A self-priming pump ensures a stable operation, even if the pump is not fully filled with liquid. The self-priming pump is able to lift liquid from below the inlet level and handle a mix of air and liquid until the pump reaches a fully-primed pumping condition.

Technical data

Dimensions of JP PT-H



TM072379

Pos.	JP 3-42 PT-H [mm]	JP 4-47 PT-H [mm]	JP 4-54 PT-H [mm]	JP 5-48 PT-H [mm]
A	284	284	286	286
A1	405	405	423	423
B	263	263	263	263
C	120	120	120	120
H	576	576	577	577
H1	443	443	443	443
H2	544	544	545	545
H3	499	499	509	509
L	493	493	493	493

Weight

JP 3-42 PT-H [kg]	JP 4-47 PT-H [kg]	JP 4-54 PT-H [kg]	JP 5-48 PT-H [kg]
16.2	16.7	18.5	20.2

Operating conditions

System pressure	Max. 6 bar / 0.60 MPa
Suction lift	Max. 8 m, including inlet-pipe pressure loss at a liquid temperature of 20 °C
Liquid temperature	Max. 40 °C (S1) / 60 °C (S3*)
Ambient temperature	Max. 40 °C (S1) / 55 °C (S3*)
Relative humidity	Max. 98 %
Enclosure class	IP44
Insulation class	F
Supply voltage	1 x 220-240 V, 50/60 Hz 1 x 115 V, 60 Hz
Start/stop frequency	Max. 20 per hour
Sound pressure level	Max. sound pressure level of the pump: JP 3-42: 68 [dB(A)] JP 4-47: 70 [dB(A)] JP 4-54: 74 [dB(A)] JP 5-48: 81 [dB(A)]

*S3 means that the pump will run in intermittent operation to cool down the motor.

Electrical data JP PT-H

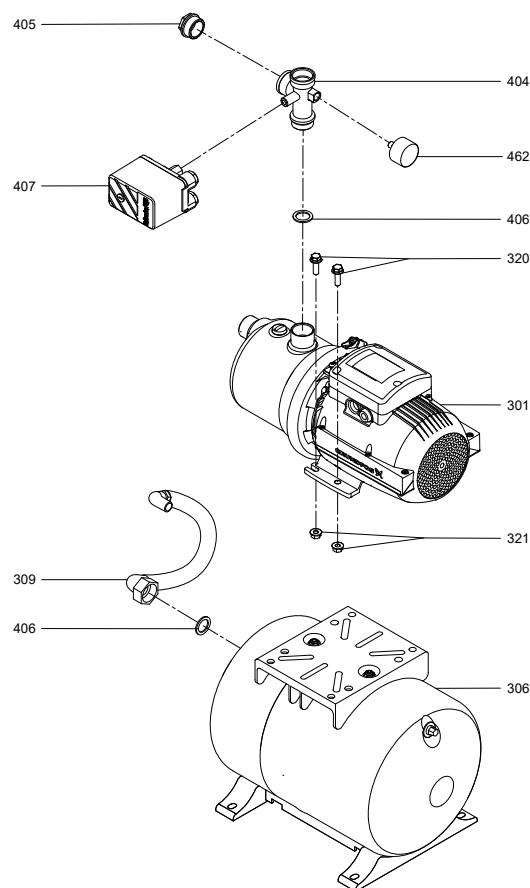
50 Hz

Pump type	Voltage [V]	P1 [W (hp)]	P2 [W (hp)]	n [rpm]	I _n [A]	I _{start} [A]
JP 3-42 PT-H	1 x 230	720 (0.97)	447 (0.6)	2800	3.1	9.2
JP 4-47 PT-H	1 x 230	850 (1.14)	560 (0.75)	2800	3.8	11.3
JP 4-54 PT-H	1 x 230	1130 (1.51)	746 (1.0)	2800	5.1	17.8
JP 5-48 PT-H	1 x 230	1490 (2.0)	1014 (1.36)	2800	6.6	27.9

60 Hz

Pump type	Voltage [V]	P1 [W (hp)]	P2 [W (hp)]	n [rpm]	I _n [A]	I _{start} [A]
JP 3-42 PT-H	1 x 230	700 (0.93)	447 (0.6)	3400	3.1	11.26
	1 x 115	730 (0.98)	447 (0.6)	3400	6.6	22.35
JP 4-47 PT-H	1 x 230	880 (1.18)	597 (0.8)	3400	3.8	12.50
	1 x 115	900 (1.21)	596 (0.8)	3400	8.0	26.30
JP 4-54 PT-H	1 x 230	1100 (1.47)	746 (1.0)	3400	5.1	23.70
	1 x 115	1100 (1.47)	746 (1.0)	3400	9.7	47.54
JP 5-48 PT-H	1 x 230	1450 (1.94)	1014 (1.36)	3400	6.6	38.22
	1 x 115	1470 (1.97)	1014 (1.36)	3400	13.4	58.30

Construction of JP PT-H Booster



TM072274

Material specification

Pos.	Description	Material
301	JP pump	Stainless steel (EN 1.4305)
306	Tank	Wetted parts: Butyl Stainless steel (EN 1.4305)
309	Hose	
404	5 way valve	Brass
405	Plug	Stainless steel (EN 1.4305)
406	Gasket	
407	Pressure switch	Wetted parts: Rubber (NBR) Stainless steel (EN 1.4305) Brass
462	Manometer	

Approvals and markings

Approvals		Markings	
ACS	CE	C-Tick	EAC
√	√		√

8. Product numbers

Guide to read the product-number tables

Abbreviation	Description
JP	Pump
JP X-XX 316	AISI 316 variant
JP PM	Pump with pressure manager
JP PT-V	Pump with 18-litre vertical pressure tank
JP PT-H	Pump with 20-litre horizontal pressure tank

When reading the product-number tables, please refer to the table above for abbreviations and definitions.

JP

50 Hz

Pump model	Voltage	Plug type/cable	Thread	Country of origin	Product number
JP 3-42	1 x 230 V 50 Hz	Schuko	G1	Hungary	99458766
JP 4-47	1 x 230 V 50 Hz	Schuko	G1	Hungary	99458767
JP 4-54	1 x 230 V 50 Hz	Schuko	G1	Hungary	99458768
JP 5-48	1 x 230 V 50 Hz	Schuko	G1	Hungary	99458769
JP 3-42 SNI*	1 x 230 V 50 Hz	Schuko	G1	China	99458770
JP 4-47 SNI*	1 x 230 V 50 Hz	Schuko	G1	China	99458771
JP 4-54 SNI*	1 x 230 V 50 Hz	Schuko	G1	China	99458772
JP 5-48 SNI*	1 x 230 V 50 Hz	Schuko	G1	China	99458773
JP 3-42	1 x 230 V 50 Hz	Type G	G1	Hungary	99458786
JP 4-47	1 x 230 V 50 Hz	Type G	G1	Hungary	99458787
JP 4-54	1 x 230 V 50 Hz	Type G	G1	Hungary	99458789
JP 5-48	1 x 230 V 50 Hz	Type G	G1	Hungary	99458790
JP 3-42	1 x 230 V 50 Hz	Type I	G1	China	99458782
JP 4-47	1 x 230 V 50 Hz	Type I	G1	China	99458783
JP 4-54	1 x 230 V 50 Hz	Type I	G1	China	99458784
JP 5-48	1 x 230 V 50 Hz	Type I	G1	China	99458785
JP 3-42	1 x 230 V 50 Hz	Cable only	G1	Hungary	99458791
JP 4-47	1 x 230 V 50 Hz	Cable only	G1	Hungary	99458792
JP 4-54	1 x 230 V 50 Hz	Cable only	G1	Hungary	99458793
JP 5-48	1 x 230 V 50 Hz	Cable only	G1	Hungary	99458794
JP 3-42	1 x 230 V 50 Hz	Cable only	G1	China	99458803
JP 4-47	1 x 230 V 50 Hz	Cable only	G1	China	99458804
JP 4-54	1 x 230 V 50 Hz	Cable only	G1	China	99458805
JP 5-48	1 x 230 V 50 Hz	Cable only	G1	China	99458806
JP 4-47 316	1 x 230 V 50 Hz	Cable only	G1	Hungary	99476699
JP 5-48 316	1 x 230 V 50 Hz	Cable only	G1	Hungary	99476700
JP 3-42	1 x 230 V 50 Hz	No cable	G1	Hungary	99458823
JP 4-47	1 x 230 V 50 Hz	No cable	G1	Hungary	99458824
JP 4-54	1 x 230 V 50 Hz	No cable	G1	Hungary	99458825
JP 5-48	1 x 230 V 50 Hz	No cable	G1	Hungary	99458826

Pump model	Voltage	Plug type/cable	Thread	Country of origin	Product number
JP 3-42	1 x 230 V 50 Hz	No cable	G1	China	99480401
JP 4-47	1 x 230 V 50 Hz	No cable	G1	China	99480402
JP 4-54	1 x 230 V 50 Hz	No cable	G1	China	99480415
JP 5-48	1 x 230 V 50 Hz	No cable	G1	China	99480416

* Warranty card for Indonesia is included.

60 Hz

Pump model	Voltage	Plug type/cable	Thread	Country of origin	Product number
JP 3-42	1 x 230 V 60 Hz	Type N	G1	Hungary	99458807
JP 4-47	1 x 230 V 60 Hz	Type N	G1	Hungary	99458808
JP 4-54	1 x 230 V 60 Hz	Type N	G1	Hungary	99458809
JP 5-48	1 x 230 V 60 Hz	Type N	G1	Hungary	99458810
JP 3-42	1 x 115 V 60 Hz	Cable only	NPT 1	China	99507332
JP 4-47	1 x 115 V 60 Hz	Cable only	NPT 1	China	99507343
JP 4-54	1 x 115 V 60 Hz	Cable only	NPT 1	China	99507344
JP 5-48	1 x 115 V 60 Hz	Cable only	NPT 1	China	99507345
JP 3-42	1 x 230 V 60 Hz	Cable only	NPT 1	China	99507328
JP 4-47	1 x 230 V 60 Hz	Cable only	NPT 1	China	99507329
JP 4-54	1 x 230 V 60 Hz	Cable only	NPT 1	China	99507330
JP 5-48	1 x 230 V 60 Hz	Cable only	NPT 1	China	99507331
JP 3-42 ARB**	1 x 230 V 60 Hz	Cable only	G1	Hungary	99458811
JP 4-47 ARB**	1 x 230 V 60 Hz	Cable only	G1	Hungary	99458812
JP 4-54 ARB**	1 x 230 V 60 Hz	Cable only	G1	Hungary	99458813
JP 5-48 ARB**	1 x 230 V 60 Hz	Cable only	G1	Hungary	99458814
JP 3-42	1 x 115 V 60 Hz	Cable only	G1	Hungary	99458778
JP 4-47	1 x 115 V 60 Hz	Cable only	G1	Hungary	99458779
JP 4-54	1 x 115 V 60 Hz	Cable only	G1	Hungary	99458780
JP 5-48	1 x 115 V 60 Hz	Cable only	G1	Hungary	99458781

** Printed installation and operating instructions in English (UK) and Arabic are included.

JP PM

50 Hz

Pump model	Voltage	Plug type/cable	Thread	Country of origin	Product number
JP 3-42 PM	1 x 230 V 50 Hz	Schuko	G1	Hungary	99515135
JP 4-47 PM	1 x 230 V 50 Hz	Schuko	G1	Hungary	99515136
JP 4-54 PM	1 x 230 V 50 Hz	Schuko	G1	Hungary	99515137
JP 5-48 PM	1 x 230 V 50 Hz	Schuko	G1	Hungary	99515138
JP 3-42 PM	1 x 230 V 50 Hz	Type G	G1	China	99463906
JP 4-47 PM	1 x 230 V 50 Hz	Type G	G1	China	99463907
JP 4-54 PM	1 x 230 V 50 Hz	Type G	G1	China	99463908
JP 5-48 PM	1 x 230 V 50 Hz	Type G	G1	China	99463909

Pump model	Voltage	Plug type/cable	Thread	Country of origin	Product number
JP 3-42 PM	1 x 230 V 50 Hz	Type I	G1	China	99463898
JP 4-47 PM	1 x 230 V 50 Hz	Type I	G1	China	99463899
JP 4-54 PM	1 x 230 V 50 Hz	Type I	G1	China	99463900
JP 5-48 PM	1 x 230 V 50 Hz	Type I	G1	China	99463901

60 Hz

Pump model	Voltage	Plug type/cable	Thread	Country of origin	Product number
JP 3-42 PM	1 x 230 V 60 Hz	Cable only	NPT 1	China	99507468
JP 4-47 PM	1 x 230 V 60 Hz	Cable only	NPT 1	China	99507469
JP 4-54 PM	1 x 230 V 60 Hz	Cable only	NPT 1	China	99507470
JP 5-48 PM	1 x 230 V 60 Hz	Cable only	NPT 1	China	99507471
JP 3-42 PM	1 x 115 V 60 Hz	Cable only	NPT 1	China	99507472
JP 4-47 PM	1 x 115 V 60 Hz	Cable only	NPT 1	China	99507483
JP 4-54 PM	1 x 115 V 60 Hz	Cable only	NPT 1	China	99507484
JP 5-48 PM	1 x 115 V 60 Hz	Cable only	NPT 1	China	99507485

JP PT-V**50 Hz**

Pump model	Voltage	Plug type/cable	Thread	Country of origin	Product number
JP 3-42 PT-V	1 x 230 V 50 Hz	Schuko	G1	China	99463870
JP 4-47 PT-V	1 x 230 V 50 Hz	Schuko	G1	China	99463871
JP 4-54 PT-V	1 x 230 V 50 Hz	Schuko	G1	China	99463872
JP 5-48 PT-V	1 x 230 V 50 Hz	Schuko	G1	China	99463873
JP 3-42 PT-V SNI*	1 x 230 V 50 Hz	Schuko	G1	China	99463878
JP 4-47 PT-V SNI*	1 x 230 V 50 Hz	Schuko	G1	China	99463879
JP 4-54 PT-V SNI*	1 x 230 V 50 Hz	Schuko	G1	China	99463880
JP 5-48 PT-V SNI*	1 x 230 V 50 Hz	Schuko	G1	China	99463881
JP 3-42 PT-V	1 x 230 V 50 Hz	Cable only	G1	China	99463914
JP 4-47 PT-V	1 x 230 V 50 Hz	Cable only	G1	China	99463915
JP 4-54 PT-V	1 x 230 V 50 Hz	Cable only	G1	China	99463916
JP 5-48 PT-V	1 x 230 V 50 Hz	Cable only	G1	China	99463917
JP 3-42 PT-V	1 x 230 V 50 Hz	Type G	G1	China	99463902
JP 4-47 PT-V	1 x 230 V 50 Hz	Type G	G1	China	99463903
JP 4-54 PT-V	1 x 230 V 50 Hz	Type G	G1	China	99463904
JP 5-48 PT-V	1 x 230 V 50 Hz	Type G	G1	China	99463905
JP 3-42 PT-V	1 x 230 V 50 Hz	Type I	G1	China	99463894
JP 4-47 PT-V	1 x 230 V 50 Hz	Type I	G1	China	99463895
JP 4-54 PT-V	1 x 230 V 50 Hz	Type I	G1	China	99463896
JP 5-48 PT-V	1 x 230 V 50 Hz	Type I	G1	China	99463897

* Warranty card for Indonesia is included.

JP PT-H**50 Hz**

Pump model	Voltage	Plug type/cable	Thread	Country of origin	Product number
JP 3-42 PT-H	1 x 230 V 50 Hz	Schuko	G1	Hungary	99463874
JP 4-47 PT-H	1 x 230 V 50 Hz	Schuko	G1	Hungary	99463875
JP 4-54 PT-H	1 x 230 V 50 Hz	Schuko	G1	Hungary	99463876
JP 5-48 PT-H	1 x 230 V 50 Hz	Schuko	G1	Hungary	99463877
JP 3-42 PT-H	1 x 230 V 50 Hz	Type G	G1	Hungary	99463910
JP 4-47 PT-H	1 x 230 V 50 Hz	Type G	G1	Hungary	99463911
JP 4-54 PT-H	1 x 230 V 50 Hz	Type G	G1	Hungary	99463912
JP 5-48 PT-H	1 x 230 V 50 Hz	Type G	G1	Hungary	99463913
JP 3-42 PT-H	1 x 230 V 50 Hz	Cable only	G1	Hungary	99463918
JP 4-47 PT-H	1 x 230 V 50 Hz	Cable only	G1	Hungary	99463919
JP 4-54 PT-H	1 x 230 V 50 Hz	Cable only	G1	Hungary	99463920
JP 5-48 PT-H	1 x 230 V 50 Hz	Cable only	G1	Hungary	99463921

9. Grundfos Product Center

Online search and sizing tool to help you make the right choice.

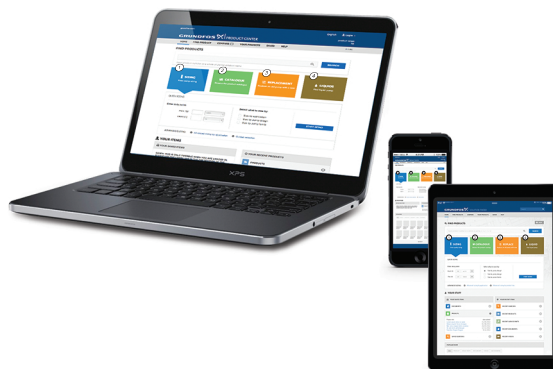
<http://product-selection.grundfos.com>

All the information you need in one place

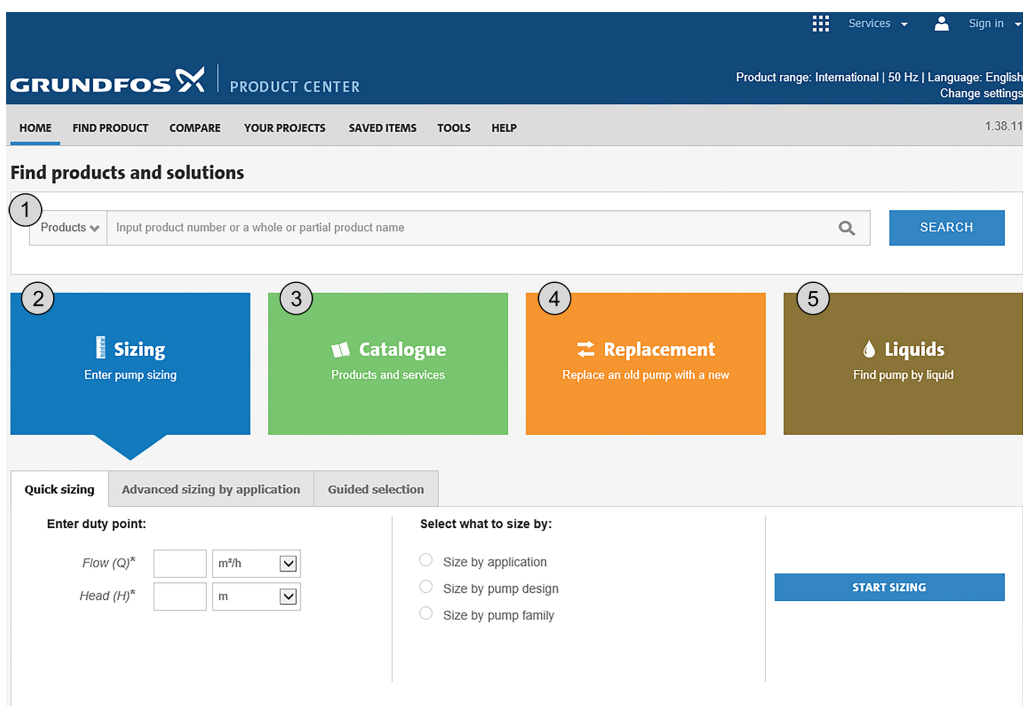
Performance curves, technical specifications, pictures, dimensional drawings, motor curves, wiring diagrams, spare parts, service kits, 3D drawings, documents, system parts. The Product Center displays any recent and saved items - including complete projects - right on the main page.

Downloads

On the product pages, you can download installation and operating instructions, data booklets, service instructions, etc. in PDF format.



TM072384



TM072383-1

Pos.	Description
1	This drop-down menu enables you to set the search function to "Products" or "Literature".
2	SIZING enables you to size a pump based on entered data and selection choices.
3	CATALOGUE gives you access to the Grundfos product catalogue. REPLACEMENT enables you to find a replacement product. Search results will include information on
4	<ul style="list-style-type: none"> the lowest purchase price the lowest energy consumption the lowest total life cycle cost.
5	LIQUIDS enables you to find pumps designed for aggressive, flammable or other special liquids.

Argentina

Bombas GRUNDFOS de Argentina S.A.
Ruta Panamericana km. 37.500 Centro
Industrial Garin
1619 - Garin Pcia. de B.A.
Tel.: +54-3327 414 444
Fax: +54-3327 45 3190

Australia

GRUNDFOS Pumps Pty. Ltd.
P.O. Box 2040
Regency Park
South Australia 5942
Tel.: +61-8-8461-4611
Fax: +61-8-8340-0155

Austria

GRUNDFOS Pumpen Vertrieb Ges.m.b.H.
Grundfosstraße 2
A-5082 Grödig/Salzburg
Tel.: +43-6246-883-0
Fax: +43-6246-883-30

Belgium

N.V. GRUNDFOS Bellux S.A.
Boomssesteeweg 81-83
B-2630 Aartselaar
Tel.: +32-3-870 7300
Fax: +32-3-870 7301

Belarus

Представительство ГРУНДФОС в
Минске
220125, Минск
ул. Шафарнянская, 11, оф. 56, БЦ
«Порт»
Тел.: +7 (375 17) 286 39 72/73
Факс: +7 (375 17) 286 39 71
E-mail: minsk@grundfos.com

Bosnia and Herzegovina

GRUNDFOS Sarajevo
Zmajica od Bosne 7-7A
BiH-71000 Sarajevo
Tel.: +387 33 592 480
Fax: +387 33 590 465
www.ba.grundfos.com
E-mail: grundfos@bih.net.ba

Brazil

BOMBAS GRUNDFOS DO BRASIL
Av. Humberto de Alencar Castelo Branco,
630
CEP 09850 - 300
São Bernardo do Campo - SP
Tel.: +55-11 4393 5533
Fax: +55-11 4343 5015

Bulgaria

Grundfos Bulgaria EOOD
Slatina District
Iztochna Tangenta street no. 100
BG - 1592 Sofia
Tel.: +359 2 49 22 200
Fax: +359 2 49 22 201
E-mail: bulgaria@grundfos.bg

Canada

GRUNDFOS Canada Inc.
2941 Brighton Road
Oakville, Ontario
L6H 6C9
Tel.: +1-905 829 9533
Fax: +1-905 829 9512

China

GRUNDFOS Pumps (Shanghai) Co. Ltd.
10F The Hub, No. 33 Suhong Road
Minhang District
Shanghai 201106 PRC
Tel.: +86 21 612 252 22
Fax: +86 21 612 253 33

Columbia

GRUNDFOS Colombia S.A.S.
Km 1.5 vía Siberia-Cota Conj. Protero
Chico,
Parque Empresarial Arcos de Cota Bod.
1A.
Cota, Cundinamarca
Tel.: +57(1)-2913444
Fax: +57(1)-8764586

Croatia

GRUNDFOS CROATIA d.o.o.
Buzinski prilaz 38, Buzin
HR-10010 Zagreb
Tel.: +385 1 6595 400
Fax: +385 1 6595 499
www.hr.grundfos.com

Czech Republic

GRUNDFOS Sales Czechia and Slovakia
s.r.o.
Čajkovského 21
779 00 Olomouc
Tel.: +420-585-716 111

Denmark

GRUNDFOS DK A/S
Martin Bachs Vej 3
DK-8850 Bjerringbro
Tel.: +45-87 50 50 50
Fax: +45-87 50 51 51
E-mail: info_GDK@grundfos.com
www.grundfos.com/DK

Estonia

GRUNDFOS Pumps Eesti OÜ
Peterburi tee 92G
11415 Tallinn
Tel.: +372 606 1690
Fax: +372 606 1691

Finland

OY GRUNDFOS Pumput AB
Trukkikuja 1
FI-01360 Vantaa
Tel.: +358-(0) 207 889 500

France

Pompes GRUNDFOS Distribution S.A.
Parc d'Activités de Chesnes
57, rue de Malacombes
F-38290 St. Quentin Fallavier (Lyon)
Tel.: +33-4 74 82 15 15
Fax: +33-4 74 94 10 51

Germany

GRUNDFOS GMBH
Schlüterstr. 33
40699 Erkrath
Tel.: +49-(0) 211 929 69-0
Fax: +49-(0) 211 929 69-3799
E-mail: infoservice@grundfos.de
Service in Deutschland:
kundendienst@grundfos.de

Greece

GRUNDFOS Hellas A.E.B.E.
20th km. Athinon-Markopoulou Av.
P.O. Box 71
GR-19002 Peania
Tel.: +0030-210-66 83 400
Fax: +0030-210-66 46 273

Hong Kong

GRUNDFOS Pumps (Hong Kong) Ltd.
Unit 1, Ground floor, Siu Wai Industrial
Centre
29-33 Wing Hong Street & 68 King Lam
Street, Cheung Sha Wan
Kowloon
Tel.: +852-27861706 / 27861741
Fax: +852-27858664

Hungary

GRUNDFOS Hungária Kft.
Tópark u. 8
H-2045 Törökbálint
Tel.: +36-23 511 110
Fax: +36-23 511 111

India

GRUNDFOS Pumps India Private Limited
118 Old Mahabalipuram Road
Thoraipakkam
Chennai 600 097
Tel.: +91-44 2496 6800

Indonesia

PT GRUNDFOS Pompa
Graha Intrub Lt. 2 & 3
Jln. Cililitan Besar No.454. Makasar,
Jakarta Timur
ID-Jakarta 13650
Tel.: +62 21-469-51900
Fax: +62 21-460 6910 / 460 6901

Ireland

GRUNDFOS (Ireland) Ltd.
Unit A, Merrywell Business Park
Ballymount Road Lower
Dublin 12
Tel.: +353-1-4089 800
Fax: +353-1-4089 830

Italy

GRUNDFOS Pompe Italia S.r.l.
Via Gran Sasso 4
I-20060 Truccazzano (Milano)
Tel.: +39-02-95838112
Fax: +39-02-95309290 / 95838461

Japan

GRUNDFOS Pumps K.K.
1-2-3, Shin-Miyakoda, Kita-ku
Hamamatsu
431-2103 Japan
Tel.: +81 53 428 4760
Fax: +81 53 428 5005

Korea

GRUNDFOS Pumps Korea Ltd.
6th Floor, Aju Building 679-5
Yeoksam-dong, Kangnam-ku, 135-916
Seoul, Korea
Tel.: +82-2-5317 600
Fax: +82-2-5633 725

Latvia

SIA GRUNDFOS Pumps Latvia
Deglava biznesa centrs
Augusta Deglava ielā 60
LV-1035, Rīga,
Tel.: +371 714 9640, 7 149 641
Fax: +371 914 9646

Lithuania

GRUNDFOS Pumps UAB
Smolensko g. 6
LT-03201 Vilnius
Tel.: +370 52 395 430
Fax: +370 52 395 431

Malaysia

GRUNDFOS Pumps Sdn. Bhd.
7 Jalan Peguam U1/25
Glenmarie Industrial Park
40150 Shah Alam, Selangor
Tel.: +60-3-5569 2922
Fax: +60-3-5569 2866

Mexico

Bombas GRUNDFOS de México
S.A. de C.V.
Boulevard TLC No. 15
Parque Industrial Stiva Aeropuerto
Apodaca, N.L. 66600
Tel.: +52-81-8144 4000
Fax: +52-81-8144 4010

Netherlands

GRUNDFOS Netherlands
Veluwezoom 35
1326 AE Almere
Postbus 22015
1302 CA ALMERE
Tel.: +31-88-478 6336
Fax: +31-88-478 6332
E-mail: info_gnl@grundfos.com

New Zealand

GRUNDFOS Pumps NZ Ltd.
17 Beatrice Tinsley Crescent
North Harbour Industrial Estate
Albany, Auckland
Tel.: +64-9-415 3240
Fax: +64-9-415 3250

Norway

GRUNDFOS Pomper A/S
Stramsveien 344
Postboks 235, Leirdal
N-1011 Oslo
Tel.: +47-22 90 47 00
Fax: +47-22 32 21 50

Poland

GRUNDFOS Pompy Sp. z o.o.
ul. Klonowa 23
Baranowo k. Poznania
PL-62-081 Przemierowo
Tel.: (+48-61) 650 13 00
Fax: (+48-61) 650 13 50

Portugal

Bombas GRUNDFOS Portugal, S.A.
Rua Calvet de Magalhães, 241
Apartado 1079
P-2770-153 Paço de Arcos
Tel.: +351-21-440 76 00
Fax: +351-21-440 76 90

Romania

GRUNDFOS Pompe România SRL
Bd. Biruintei, nr 103
Pantelimon county Ilfov
Tel.: +40 21 200 4100
Fax: +40 21 200 4101
E-mail: romania@grundfos.ro

Russia

ООО Грундфос Россия
ул. Школьная, 39-41
Москва, RU-109544, Russia
Тел. (+7) 495 564-88-00 (495) 737-30-00
Факс (+7) 495 564 8811
E-mail grundfos.moscow@grundfos.com

Serbia

Grundfos Srbija d.o.o.
Omladinskih brigada 90b
11070 Novi Beograd
Tel.: +381 11 2258 740
Fax: +381 11 2281 769
www.rs.grundfos.com

Singapore

GRUNDFOS (Singapore) Pte. Ltd.
25 Jalan Tukang
Singapore 619264
Tel.: +65-6681 9688
Fax: +65-6681 9689

Slovakia

GRUNDFOS s.r.o.
Prievozská 4D 821 09 BRATISLAVA
Tel.: +421 2 5020 1426
sk.grundfos.com

Slovenia

GRUNDFOS LJUBLJANA, d.o.o.
Leskoškova 9e, 1122 Ljubljana
Tel.: +386 (0) 1 568 06 10
Fax: +386 (0) 1 568 06 19
E-mail: tehnika-si@grundfos.com

South Africa

GRUNDFOS (PTY) LTD
Corner Mountjoy and George Allen Roads
Wilbart Ext. 2, Bedfordview 2008
Tel.: (+27) 11 579 4800
Fax: (+27) 11 455 6066
E-mail: lsmart@grundfos.com

Spain

Bombas GRUNDFOS España S.A.
Camino de la Fuenteclilla, s/n
E-28110 Algete (Madrid)
Tel.: +34-91-848 8800
Fax: +34-91-628 0465

Sweden

GRUNDFOS AB
Box 333 (Lunnagårdsgatan 6)
431 24 Mölndal
Tel.: +46 31 332 23 000
Fax: +46 31 331 94 60

Switzerland

GRUNDFOS Pumpen AG
Bruggacherstrasse 10
CH-8117 Fällanden/ZH
Tel.: +41-44-806 8111
Fax: +41-44-806 8115

Taiwan

GRUNDFOS Pumps (Taiwan) Ltd.
7 Floor, 219 Min-Chuan Road
Taichung, Taiwan, R.O.C.
Tel.: +886-4-2305 0868
Fax: +886-4-2305 0878

Thailand

GRUNDFOS (Thailand) Ltd.
92 Chaloom Phrakiat Rama 9 Road
Dokmai, Pravej, Bangkok 10250
Tel.: +66-2-725 8999
Fax: +66-2-725 8998

Turkey

GRUNDFOS POMPA San. ve Tic. Ltd. Sti.
Gebze Organize Sanayi Bölgesi
Ihsan dede Caddesi
2. yol 200. Sokak No. 204
41490 Gebze/ Kocaeli
Tel.: +90 - 262-679 7979
Fax: +90 - 262-679 7905
E-mail: satis@grundfos.com

Ukraine

Бізнес Центр Європа
Столицне шосе, 103
м. Київ, 03131, Україна
Tel.: (+38 044) 237 04 00
Fax: (+38 044) 237 04 01
E-mail: ukraine@grundfos.com

United Arab Emirates

GRUNDFOS Gulf Distribution
P.O. Box 16768
Jebel Ali Free Zone, Dubai
Tel.: +971 4 8815 166
Fax: +971 4 8815 136

United Kingdom

GRUNDFOS Pumps Ltd.
Grovebury Road
Leighton Buzzard/Beds. LU7 4TL
Tel.: +44-1525-850000
Fax: +44-1525-850011

U.S.A.

GRUNDFOS Pumps Corporation
9300 Loiret Boulevard
Lenexa, Kansas 66219 USA
Tel.: +1 913 227 3400
Fax: +1 913 227 3500

Uzbekistan

Grundfos Tashkent, Uzbekistan
The Representative Office of Grundfos
Kazakhstan in Uzbekistan
38a, Oybek street, Tashkent
Tel.: (+998) 71 150 3290 / 71 150 3291
Fax: (+998) 71 150 3292

Revision Info

Last revised on 17-10-2018

